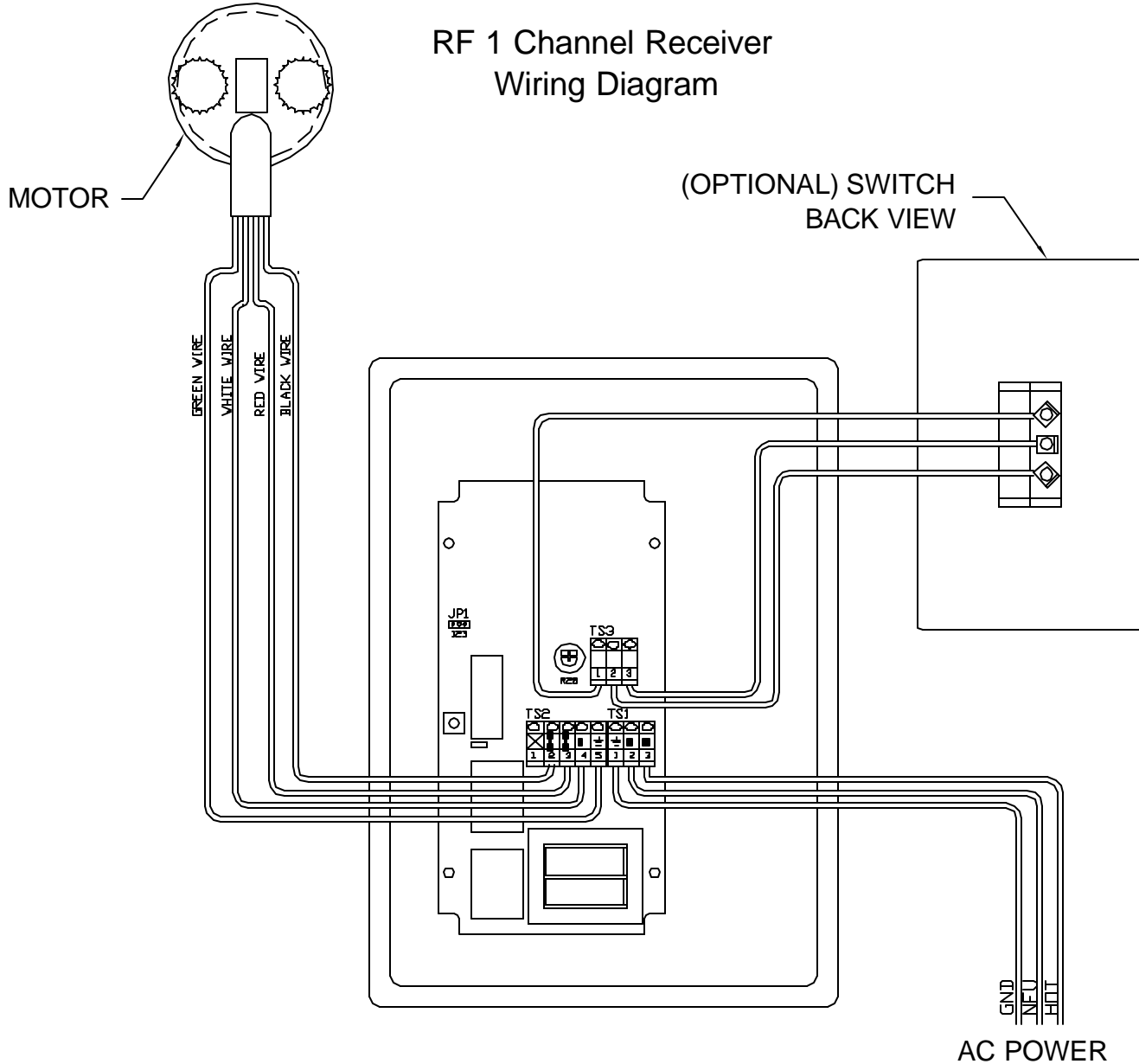


RF 1 Channel Receiver Wiring Diagram



<p style="text-align: center;">CONFIDENTIAL</p> <p style="font-size: small;">All information disclosed in this document is proprietary to BTX Window Automation. Holder agrees to maintain it in confidence and must not replicate or reveal this information in any manner.</p>	Project SWITCHES			BTX Window Automation 10800 Alder Creek Dallas, Texas 75224 (214) 343-9990 (214) 343-3444 FAX	
	Dim INCHES			Title RF 1 CHANNEL RECEIVER WIRING DIAGRAM	
	Tolerances XX ± .015 XXX ± .005 ANG ± .5°	Size A	Matl:	Dwg No: RF Receiver 1 ch	Rev
	By: G. BENNETT	Date: 20-FEB-00	Scale: NTS	Sheet 1 of 1	